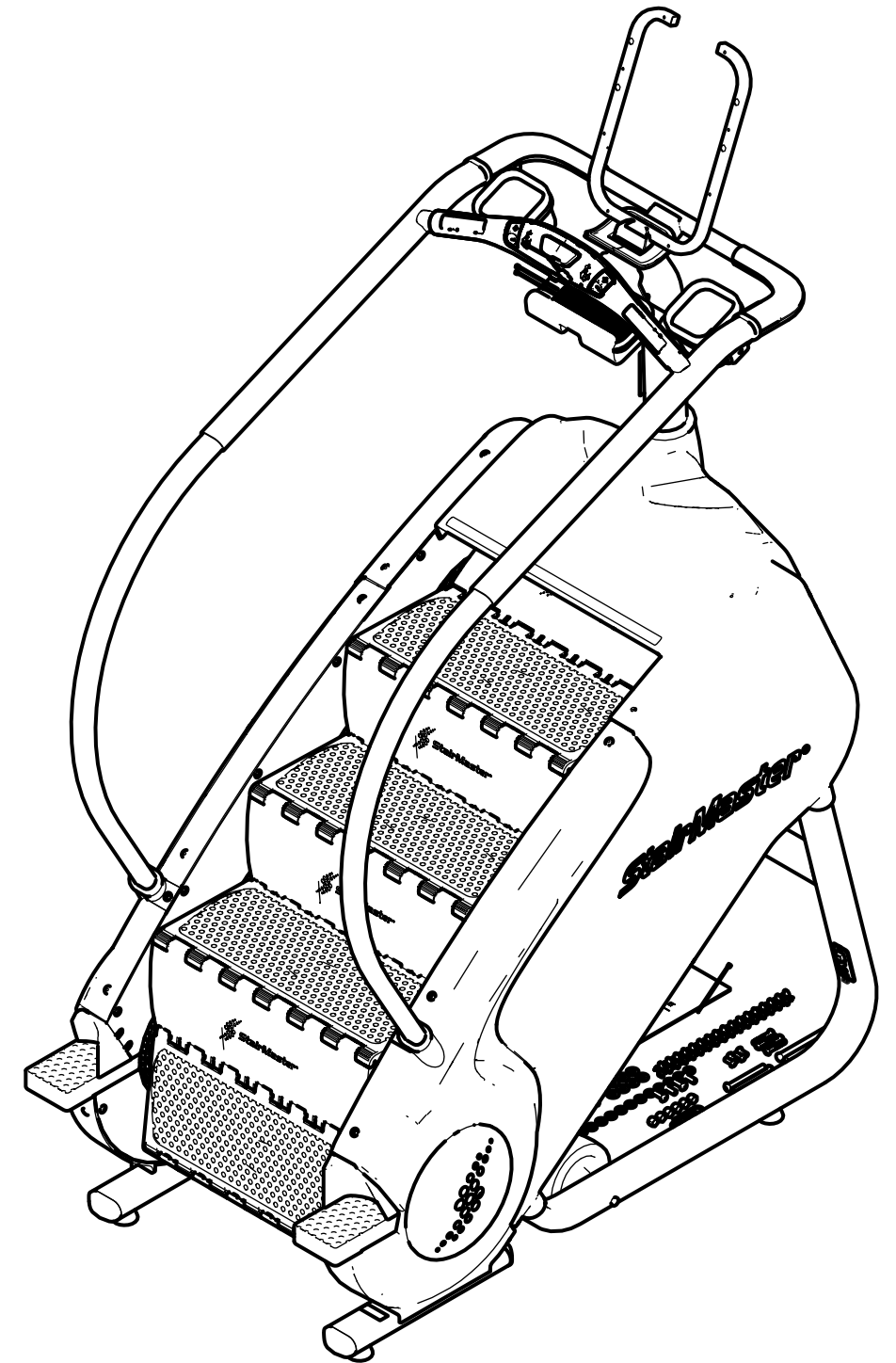
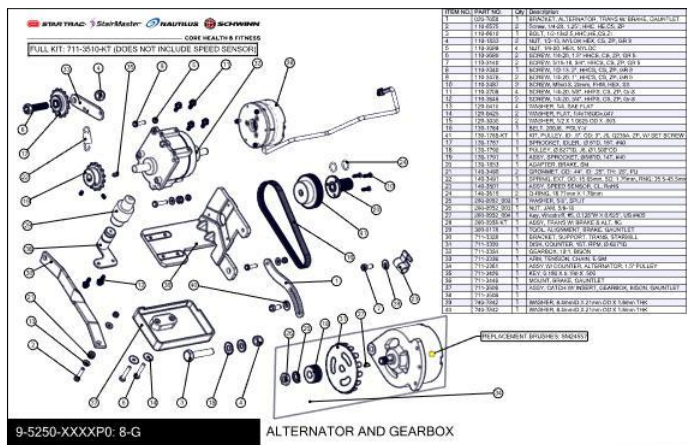
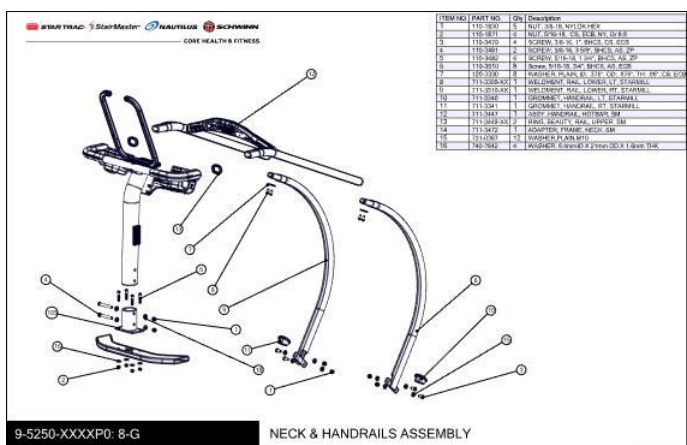
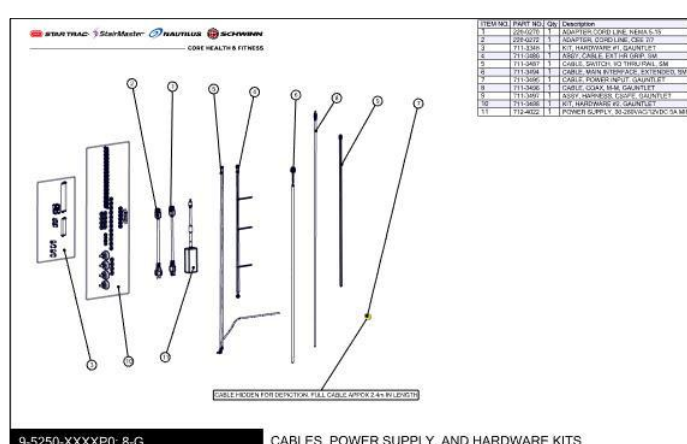
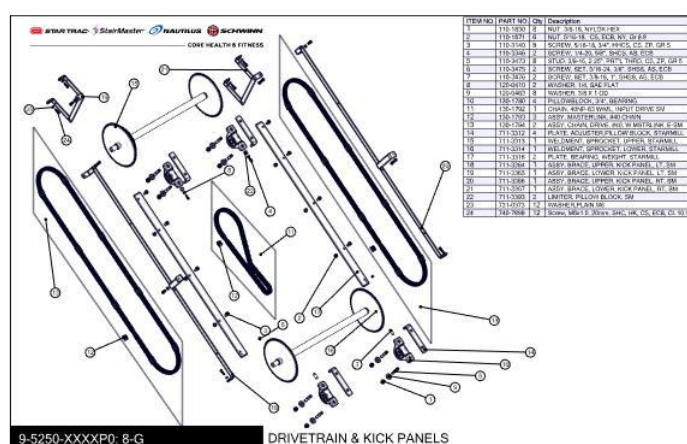
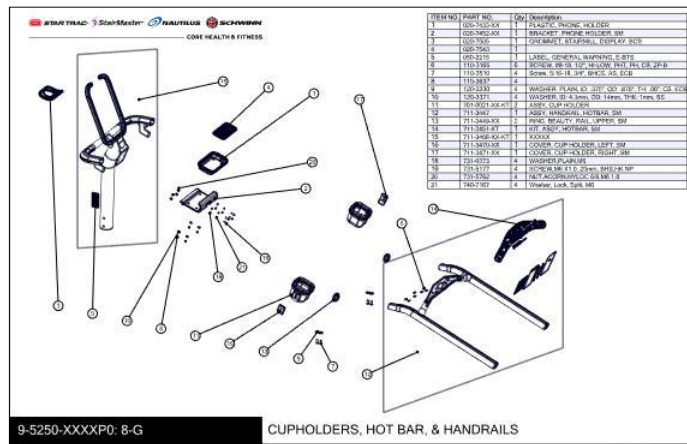
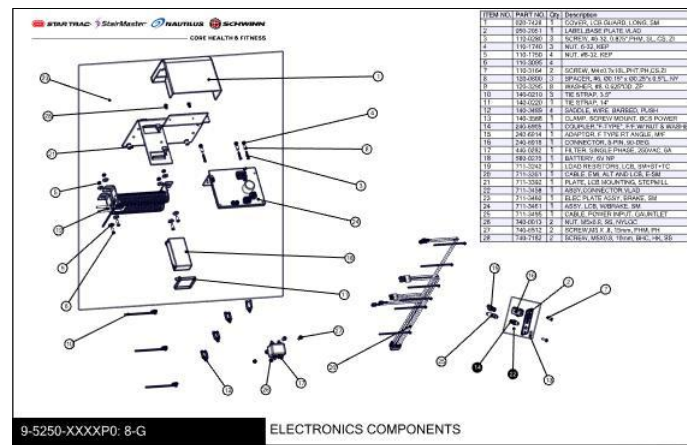
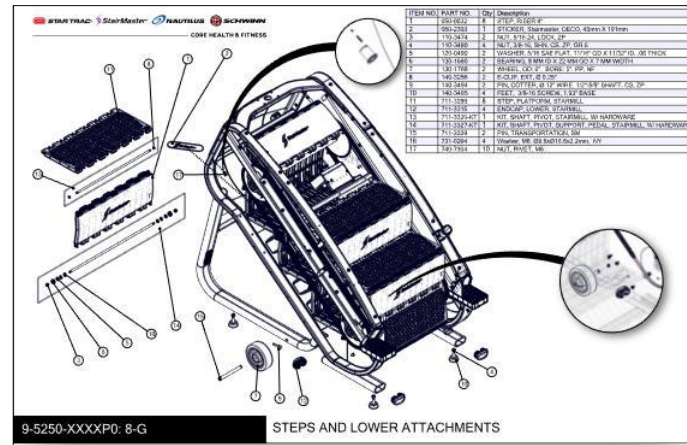
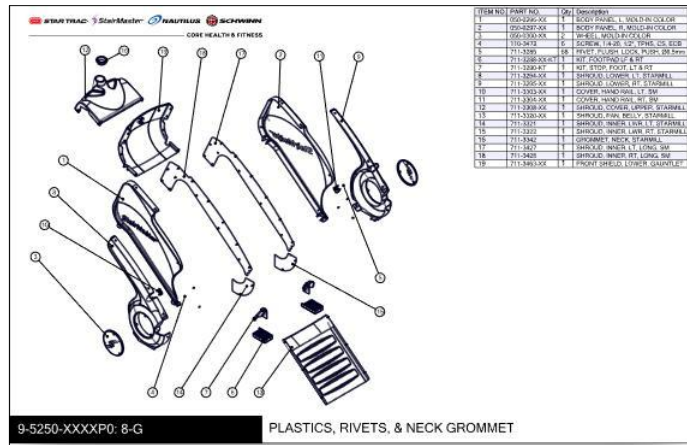
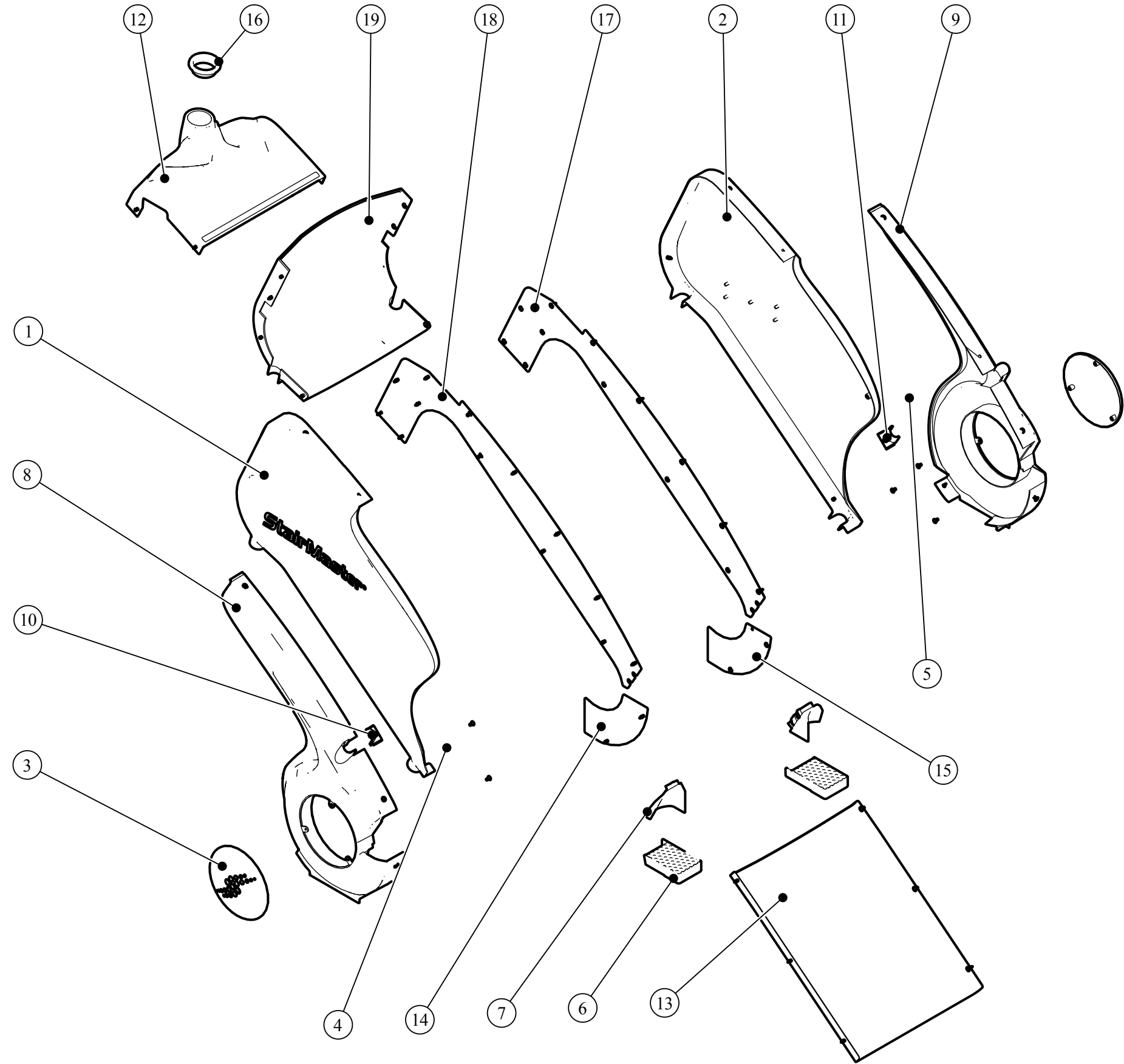


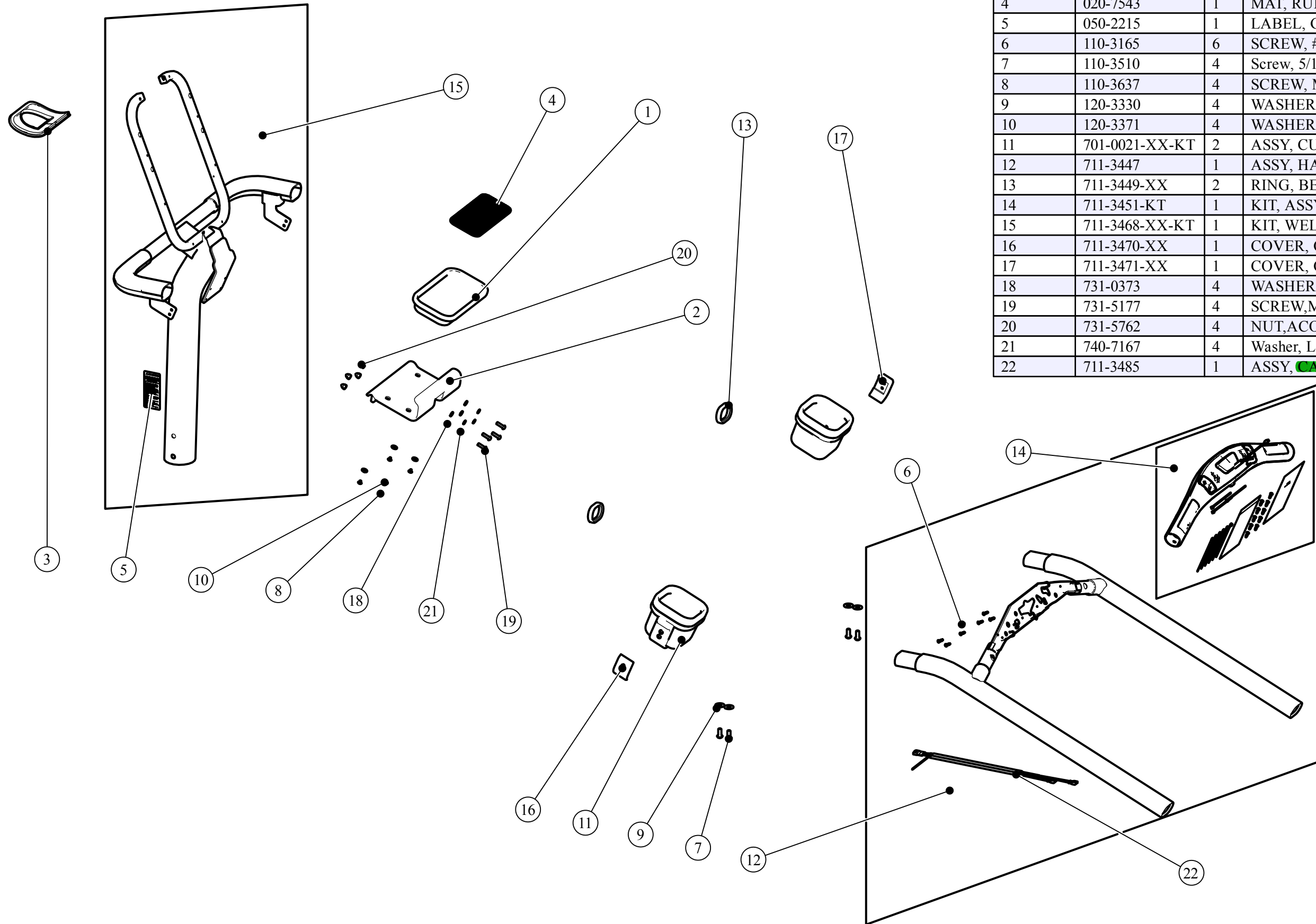
TABLE OF CONTENTS



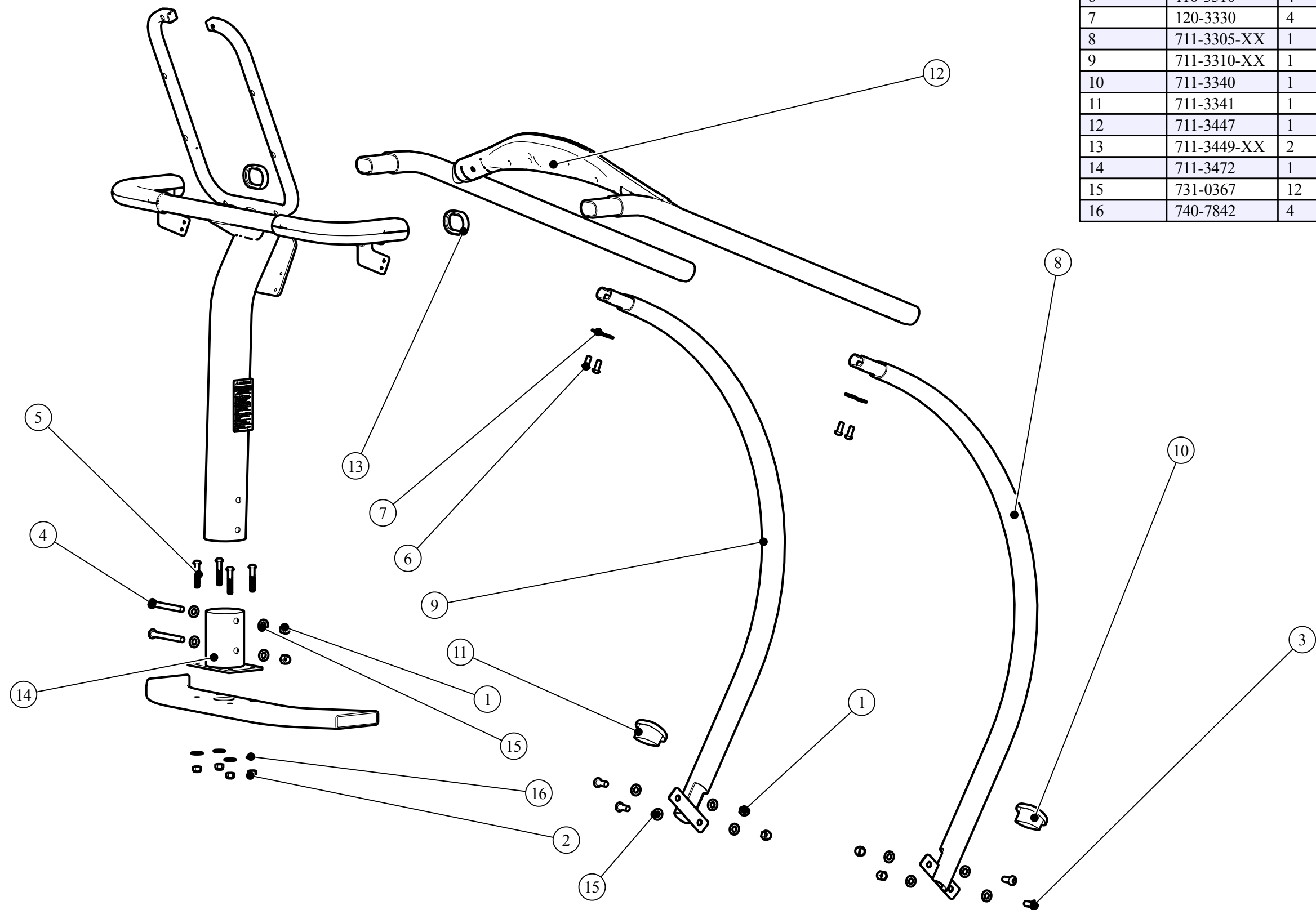
CORE HEALTH & FITNESS



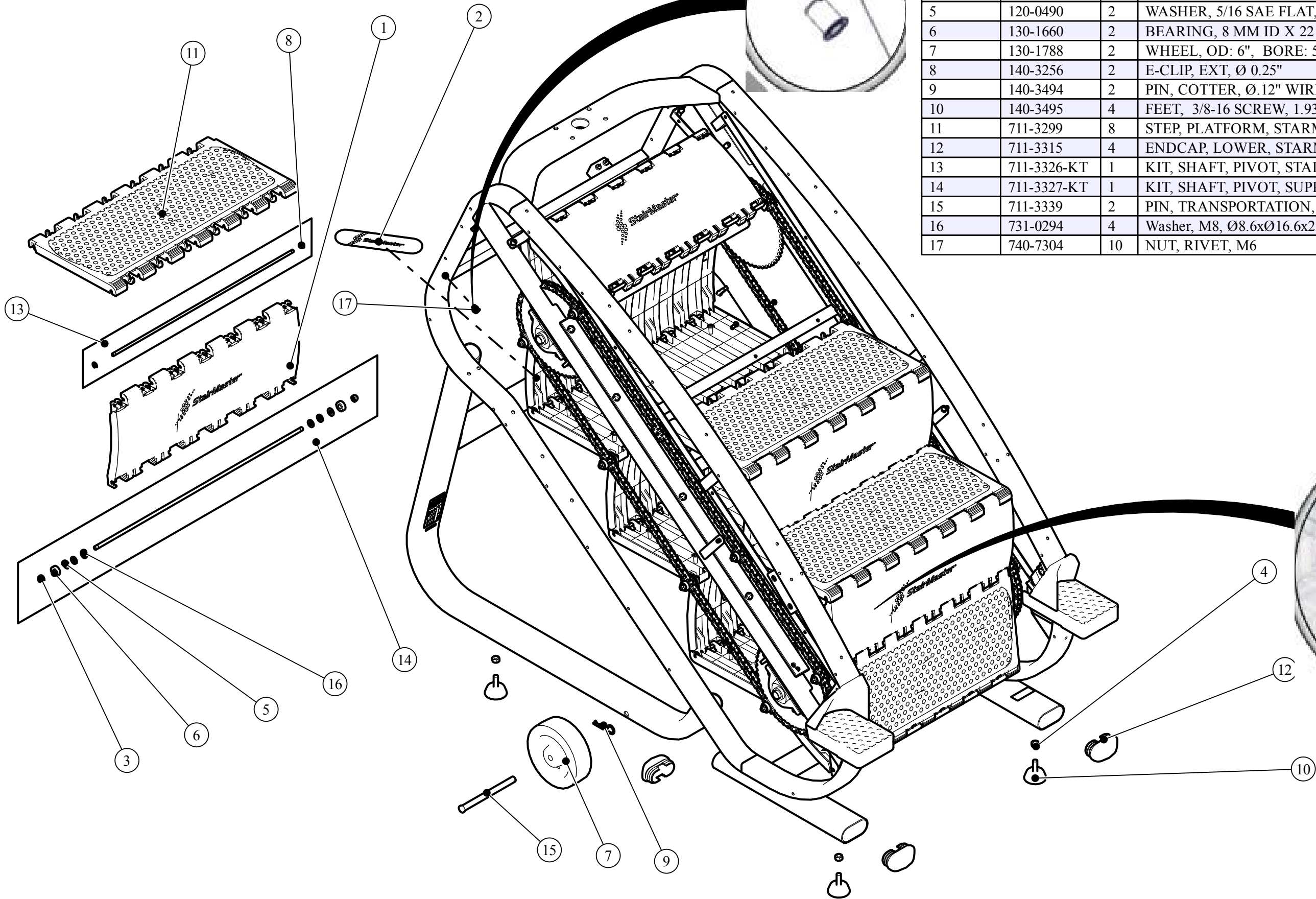
ITEM NO.	PART NO.	Qty	Description
1	050-0296-XX	1	BODY PANEL, L, MOLD-IN COLOR
2	050-0297-XX	1	BODY PANEL, R, MOLD-IN COLOR
3	050-0300-XX	2	WHEEL, MOLD-IN COLOR
4	110-3472	6	SCREW, 1/4-20, 1/2", TPHS, CS, ECB
5	711-3285	68	RIVET, FLUSH, LOCK, PUSH, Ø6.5mm
6	711-3288-XX-KT	1	KIT, FOOTPAD LF & RT
7	711-3290-KT	1	KIT, STOP, FOOT, LT & RT
8	711-3294-XX	1	SHROUD, LOWER, LT, STARMILL
9	711-3295-XX	1	SHROUD, LOWER, RT, STARMILL
10	711-3303-XX	1	COVER, HAND RAIL, LT, SM
11	711-3304-XX	1	COVER, HAND RAIL, RT, SM
12	711-3308-XX	1	SHROUD, COVER, UPPER, STARMILL
13	711-3320-XX	1	SHROUD, PAN, BELLY, STARMILL
14	711-3321	1	SHROUD, INNER, LWR, LT, STARMILL
15	711-3322	1	SHROUD, INNER, LWR, RT, STARMILL
16	711-3342	1	GROMMET, NECK, STARMILL
17	711-3427	1	SHROUD, INNER, LT, LONG, SM
18	711-3428	1	SHROUD, INNER, RT, LONG, SM
19	711-3463-XX	1	FRONT SHIELD, LOWER, GAUNTLET



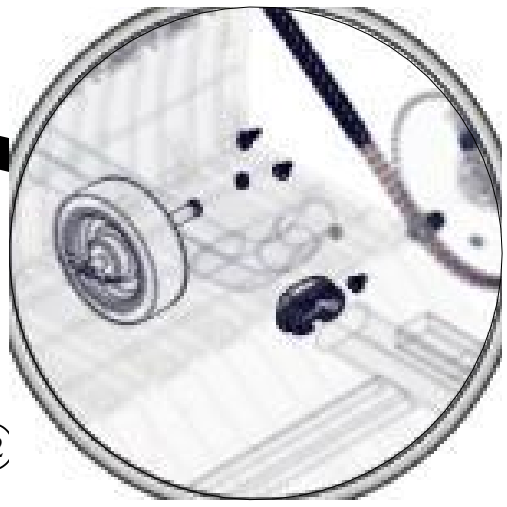
ITEM NO.	PART NO.	Qty	Description
1	020-7433-XX	1	PLASTIC, PHONE, HOLDER
2	020-7452-XX	1	BRACKET, PHONE HOLDER, SM
3	020-7505	1	GROMMET, STAIRMILL, DISPLAY, BCS
4	020-7543	1	MAT, RUBBER, PHONE HOLDER
5	050-2215	1	LABEL, GENERAL WARNING, E-BTS
6	110-3165	6	SCREW, #8-18, 1/2", HI-LOW, PHT, PH, CS, ZP-B
7	110-3510	4	Screw, 5/16-18, 3/4", BHCS, AS, ECB
8	110-3637	4	SCREW, M4X0.7, 6mm, THM, PH, CS, NKL
9	120-3330	4	WASHER, PLAIN, ID: .375", OD: .875", TH: .06", CS, ECB
10	120-3371	4	WASHER, ID: 4.3mm, OD: 14mm, THK: 1mm, SS
11	701-0021-XX-KT	2	ASSY, CUP HOLDER
12	711-3447	1	ASSY, HANDRAIL, HOTBAR, SM
13	711-3449-XX	2	RING, BEAUTY, RAIL, UPPER, SM
14	711-3451-KT	1	KIT, ASSY, HOTBAR, SM
15	711-3468-XX-KT	1	KIT, WELDMENT, DISP SUPPORT, W/ LABEL, SM
16	711-3470-XX	1	COVER, CUP HOLDER, LEFT, SM
17	711-3471-XX	1	COVER, CUP HOLDER, RIGHT, SM
18	731-0373	4	WASHER, PLAIN, M6
19	731-5177	4	SCREW, M6 X1.0, 20mm, BHS, HK, NP
20	731-5762	4	NUT, ACORN, NYLOC 6/6, M6 1.0
21	740-7167	4	Washer, Lock, Split, M6
22	711-3485	1	ASSY, CABLE , SPLITTER HR GRIP, SM

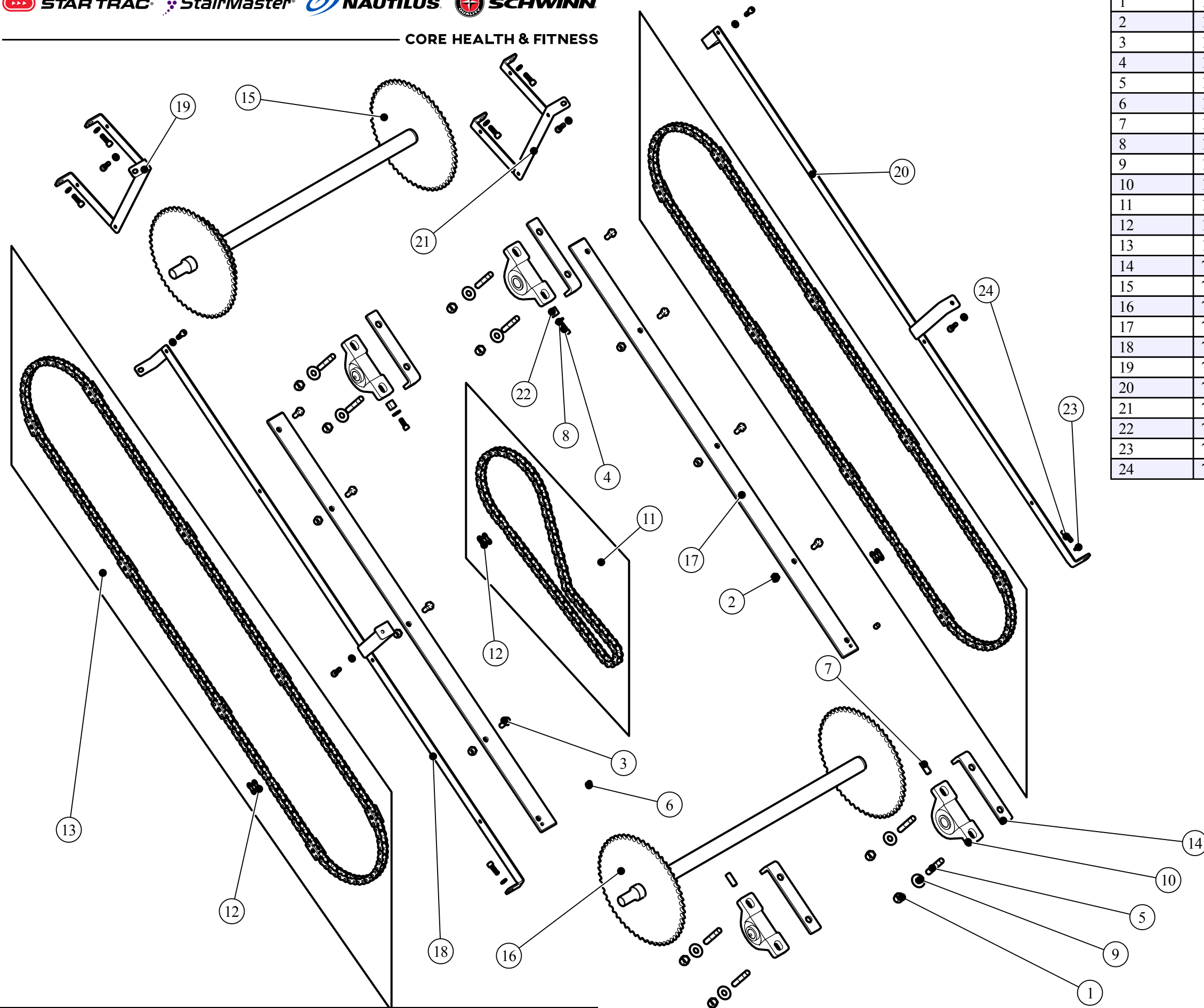


ITEM NO.	PART NO.	Qty	Description
1	110-1830	6	NUT, 3/8-16, NYLOK HEX
2	110-1871	4	NUT, 5/16-18, CS, ECB, NY, Gr 8.8
3	110-3479	4	SCREW, 3/8-16, 1", BHCS, CS, ECB
4	110-3481	2	SCREW, 3/8-16, 3 5/8", BHCS, AS, ZP
5	110-3482	4	SCREW, 5/16-18, 1 3/4", BHCS, AS, ZP
6	110-3510	4	Screw, 5/16-18, 3/4", BHCS, AS, ECB
7	120-3330	4	WASHER, PLAIN, ID: .375", OD: .875", TH: .06", CS, ECB
8	711-3305-XX	1	WELDMENT, RAIL, LOWER, LT, STARMILL
9	711-3310-XX	1	WELDMENT, RAIL, LOWER, RT, STARMILL
10	711-3340	1	GROMMET, HANDRAIL, LT, STARMILL
11	711-3341	1	GROMMET, HANDRAIL, RT, STARMILL
12	711-3447	1	ASSY, HANDRAIL, HOTBAR, SM
13	711-3449-XX	2	RING, BEAUTY, RAIL, UPPER, SM
14	711-3472	1	ADAPTER, FRAME, NECK, SM
15	731-0367	12	WASHER, PLAIN, M10
16	740-7842	4	WASHER, 8.4mmID X 21mm OD X 1.6mm THK



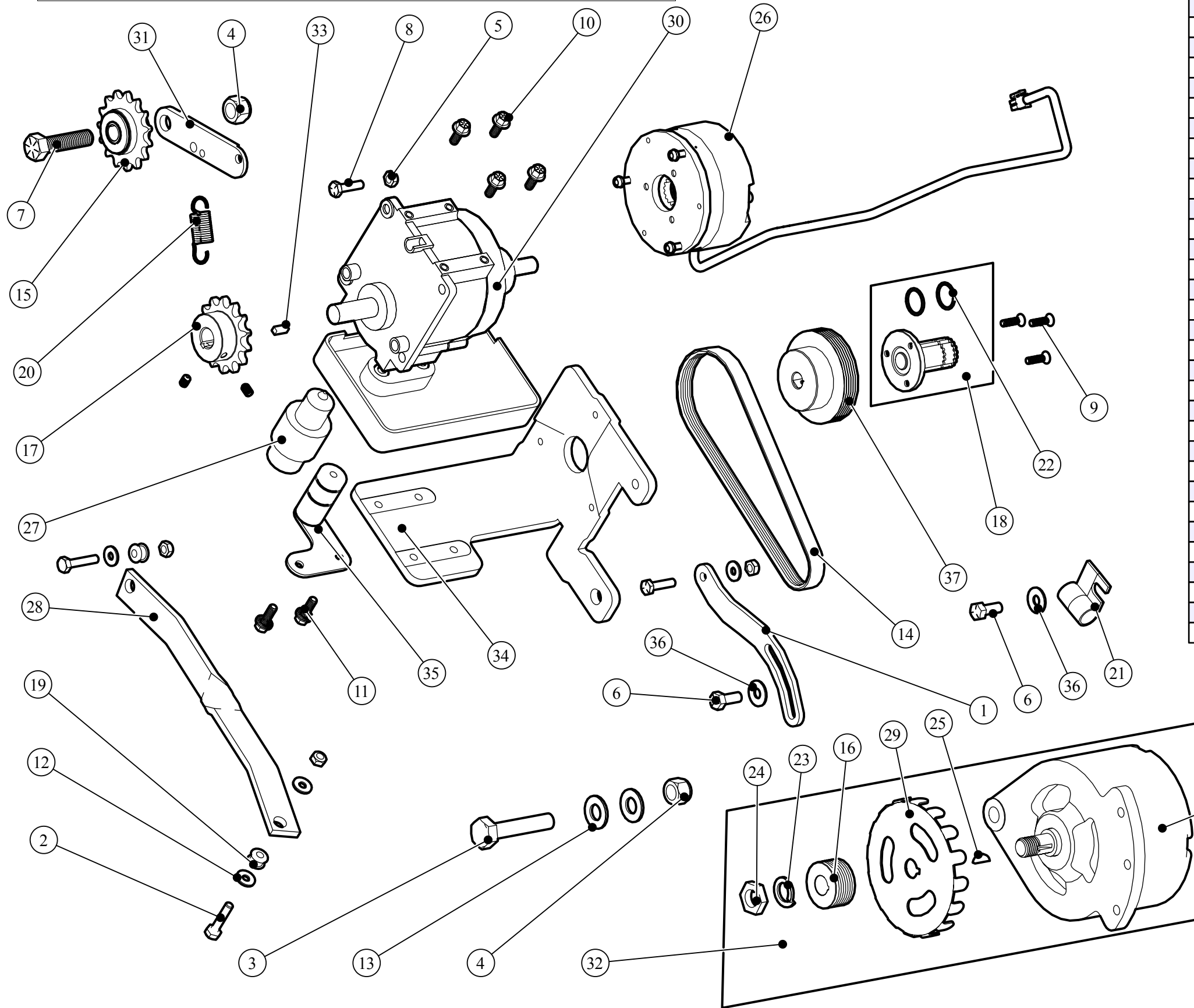
ITEM NO.	PART NO.	Qty	Description
1	050-0032	8	STEP, RISER 9"
2	050-2303	1	STICKER, Stairmaster, DECO, 45mm X 191mm
3	110-3474	2	NUT, 5/16-24, LOCK, ZP
4	110-3480	4	NUT, 3/8-16, SHN, CS, ZP, GR 5
5	120-0490	2	WASHER, 5/16 SAE FLAT, 11/16" OD X 11/32" ID, .06 THICK
6	130-1660	2	BEARING, 8 MM ID X 22 MM OD X 7 MM WIDTH
7	130-1788	2	WHEEL, OD: 6", BORE: 5", PP, NF
8	140-3256	2	E-CLIP, EXT, Ø 0.25"
9	140-3494	2	PIN, COTTER, Ø.12" WIRE, 1/2"-5/8" SHAFT, CS, ZP
10	140-3495	4	FEET, 3/8-16 SCREW, 1.93" BASE
11	711-3299	8	STEP, PLATFORM, STARMILL
12	711-3315	4	ENDCAP, LOWER, STARMILL
13	711-3326-KT	1	KIT, SHAFT, PIVOT, STAIRMILL, W/ HARDWARE
14	711-3327-KT	1	KIT, SHAFT, PIVOT, SUPPORT, PEDAL, STAIRMILL, W/ HARDWARE
15	711-3339	2	PIN, TRANSPORTATION, SM
16	731-0294	4	Washer, M8, Ø8.6xØ16.6x2.2mm, NY
17	740-7304	10	NUT, RIVET, M6





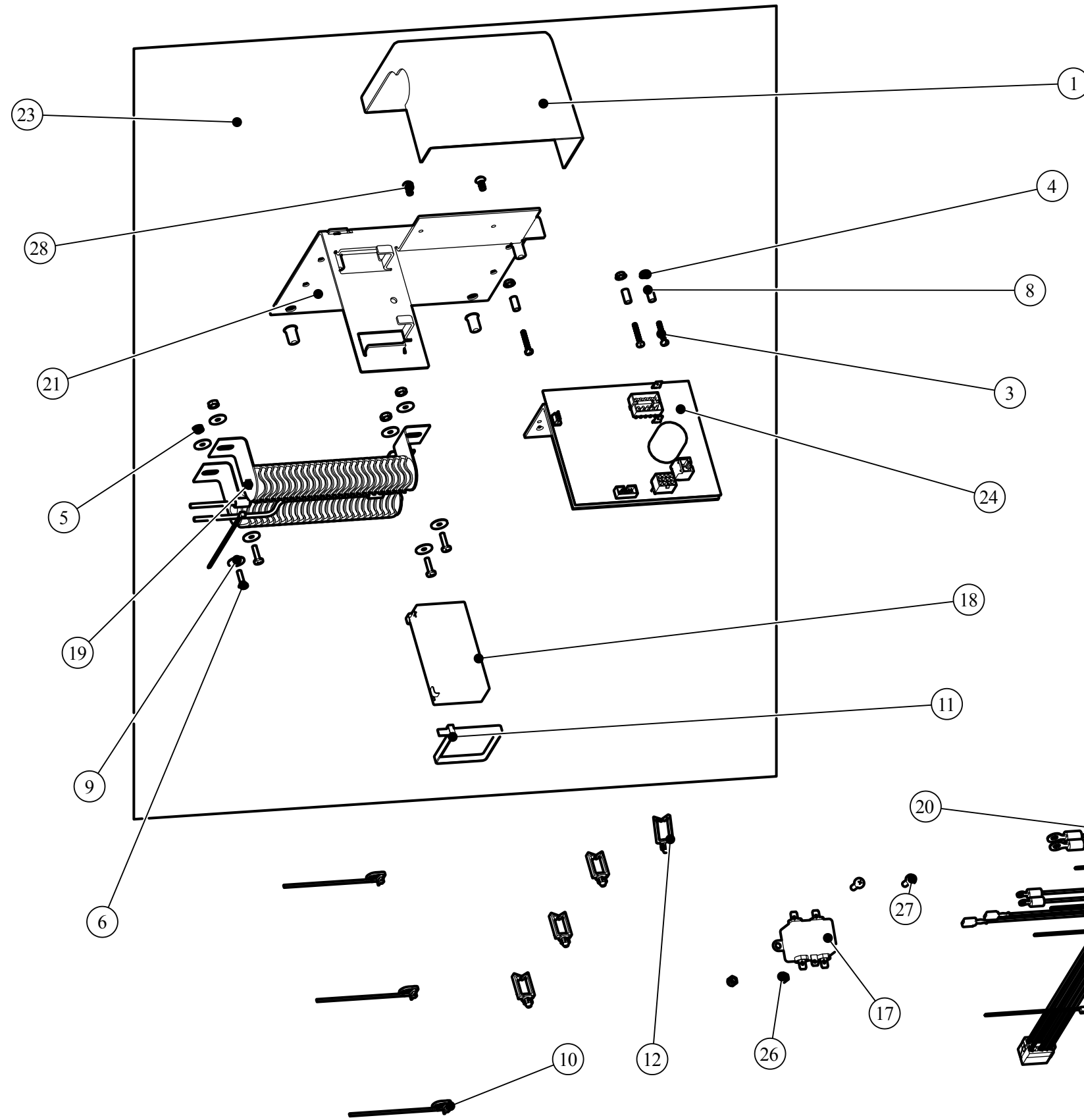
ITEM NO.	PART NO.	Qty	Description
1	110-1830	8	NUT, 3/8-16, NYLOK HEX
2	110-1871	6	NUT, 5/16-18, CS, ECB, NY, Gr 8.8
3	110-3140	8	SCREW, 5/16-18, 3/4", HHCS, CS, ZP, GR 5
4	110-3346	2	SCREW, 1/4-20, 5/8", SHCS, AS, ECB
5	110-3473	8	STUD, 3/8-16, 2.25", PRT'L THRD, CS, ZP, GR 5
6	110-3475	2	SCREW, SET, 5/16-24, 3/8", SHSS, AS, ECB
7	110-3476	2	SCREW, SET, 3/8-16, 1", SHSS, AS, ECB
8	120-0410	2	WASHER, 1/4, SAE FLAT
9	120-0463	8	WASHER, 3/8 X 1 OD
10	130-1780	4	PILLOWBLOCK, 3/4", BEARING
11	130-1792	1	CHAIN, 40NP-83 W/ML, INPUT DRIVE SM
12	130-1793	3	ASSY, MASTERLINK, #40 CHAIN
13	130-1794	2	ASSY, CHAIN, DRIVE, #40, W MSTRLINK, E-SM
14	711-3312	4	PLATE, ADJUSTER, PILLOW BLOCK, STARMILL
15	711-3313	1	WELDMENT, SPROCKET, UPPER, STARMILL
16	711-3314	1	WELDMENT, SPROCKET, LOWER, STARMILL
17	711-3316	2	PLATE, BEARING, WEIGHT, STARMILL
18	711-3364	1	ASSY, BRACE, UPPER, KICK PANEL, LT, SM
19	711-3365	1	ASSY, BRACE, LOWER, KICK PANEL, LT, SM
20	711-3366	1	ASSY, BRACE, UPPER, KICK PANEL, RT, SM
21	711-3367	1	ASSY, BRACE, LOWER, KICK PANEL, RT, SM
22	711-3393	2	LIMITER, PILLOW BLOCK, SM
23	731-0373	12	WASHER, PLAIN, M6
24	740-7898	12	Screw, M6x1.0, 20mm, SHC, HK, CS, ECB, Cl. 10.9

FULL KIT: 711-3510-KT (DOES NOT INCLUDE SPEED SENSOR)

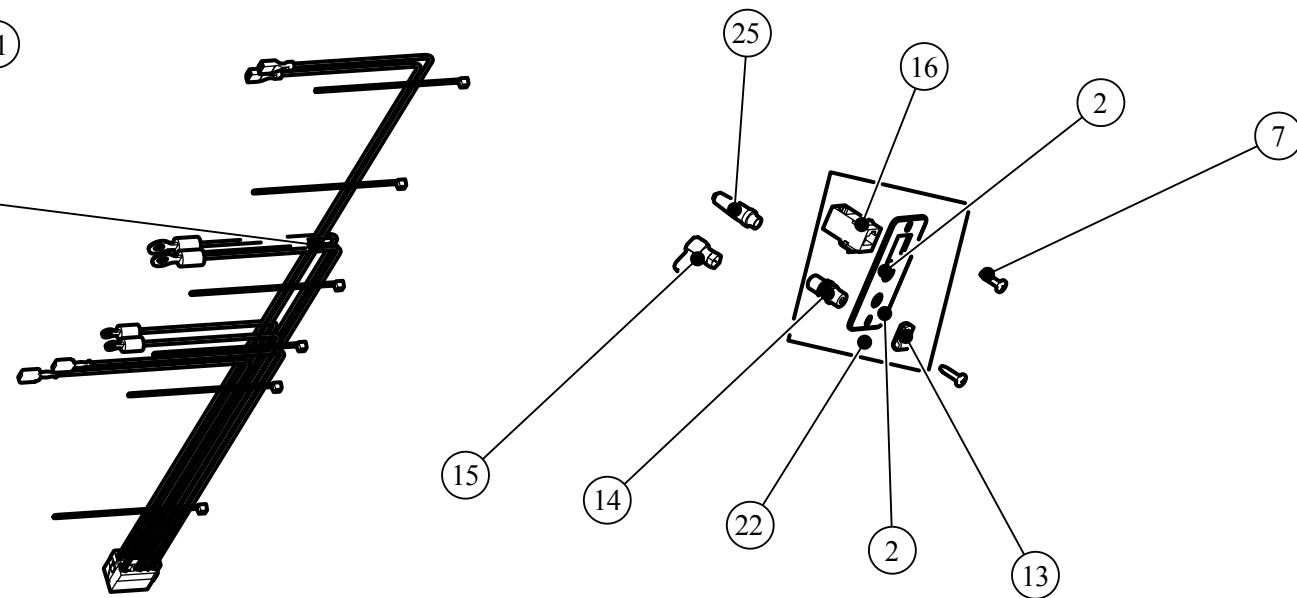


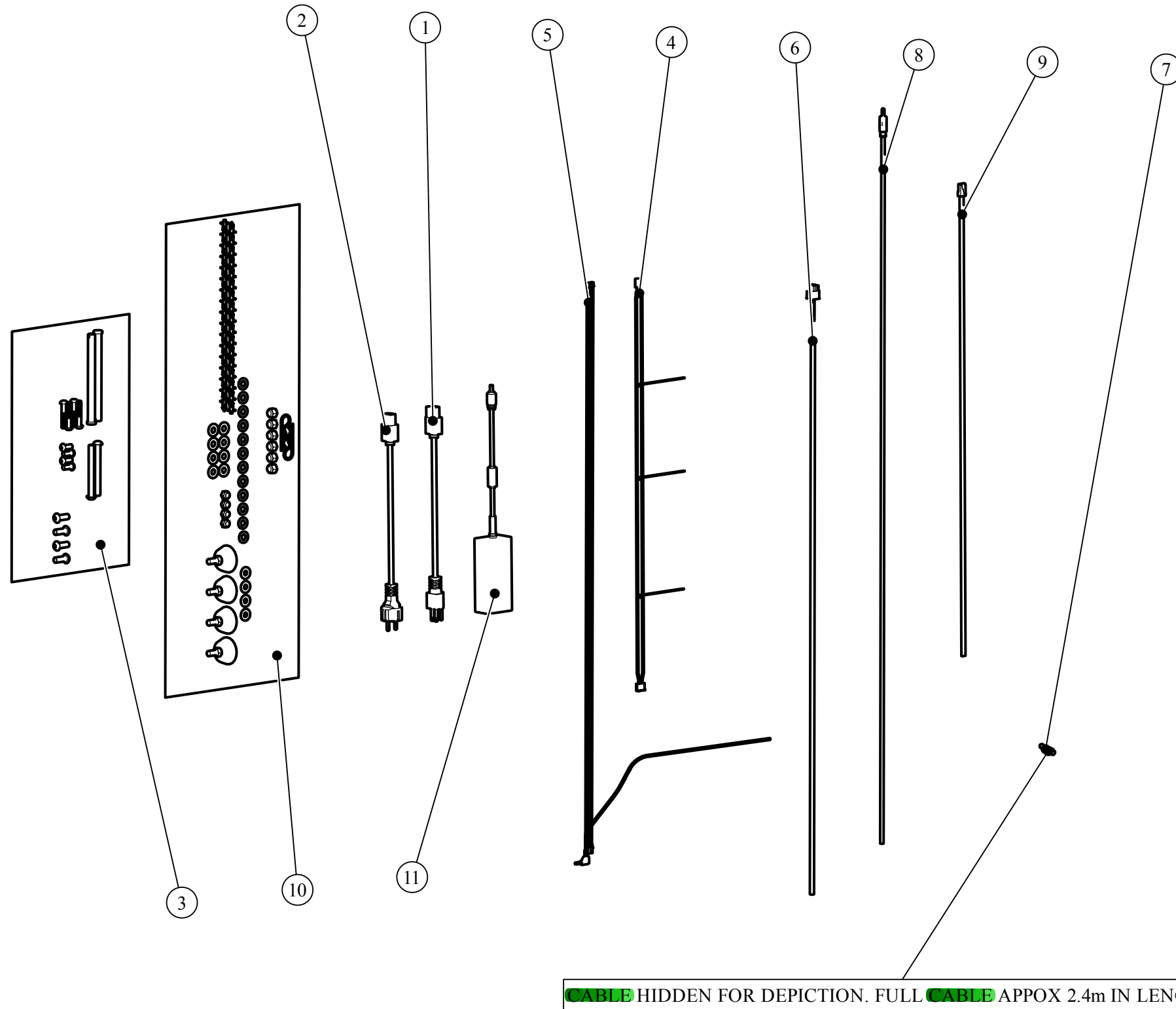
ITEM NO.	PART NO.	Qty	Description
1	020-7658	1	BRACKET, ALTERNATOR, TRANS W/ BRAKE, GAUNTLET
2	110-0575	2	Screw, 1/4-20, 1.25", HHC, HE,CS, ZP
3	110-0610	1	BOLT, 1/2-13x2.5,HHC,HE,CS,ZI
4	110-1833	2	NUT, 1/2-13, NYLOK HEX, CS, ZP, GR 8
5	110-3098	4	NUT, 1/4-20, HEX, NYLOC
6	110-3140	2	SCREW, 5/16-18, 3/4", HHCS, CS, ZP, GR 5
7	110-3340	1	SCREW, 1/2-13, 2", HHCS, CS, ZP, GR 8
8	110-3478	2	SCREW, 1/4-20, 1", HHCS, CS, ZP, GR 5
9	110-3487	3	SCREW, M5x0.8, 20mm, FHM, HEX, SS
10	110-3708	4	SCREW, 1/4-20, 5/8", HHFS, CS, ZP, Gr-8
11	110-3948	2	SCREW, 1/4-20, 3/4", HHFS, CS, ZP, Gr-8
12	120-0410	4	WASHER, 1/4, SAE FLAT
13	120-3030	2	WASHER, 1/2 X 1.0625 OD X .093
14	130-1784	1	BELT, 200J6, POLY-V
15	130-1787	1	SPROCKET, IDLER, Ø.5"ID, 15T, #40
16	130-1790	1	PULLEY, Ø.627"ID, J6, Ø1.500"OD
17	130-1791	1	ASSY, SPROCKET, Ø5/8"ID, 14T, #40
18	130-1853-KT	1	KIT, ADAPTER, BRAKE, SM, W/ O RINGS
19	140-3490	2	GROMMET, OD: .44", ID: .25", TH: .25", PU
20	140-3491	1	SPRING, EXT, OD: 15.85mm, SD: 1.75mm, RNG: 25.5-45.5mm
21	140-3501	1	ASSY, SPEED SENSOR, CL, RoHS
22	140-3610	2	O-RING, 18.77mm X 1.78mm
23	260-0952_002	1	WASHER, 5/8", SPLIT
24	260-0952_003	1	NUT, JAM, 5/8-18
25	260-0952_004	1	Key, Woodruff, #5, 0.125"W X 0.625", US #405
26	260-0958-KT	1	ASSY, TRANS W/ BRAKE & ALT, 8G
27	300-0178	1	TOOL, ALIGNMENT, BRAKE, GAUNTLET
28	711-3328	1	BRACKET, SUPPORT, TRANS, STARMILL
29	711-3330	1	DISK, COUNTER, 16T, RPM, Ø.627"ID
30	711-3334-KT	1	KIT, GEARBOX, 19:1, BISON, W/ CATCH
31	711-3336	1	ARM, TENSION, CHAIN, E-SM
32	711-3361	1	ASSY,W/ COUNTER, ALTERNATOR, 1.5" PULLEY
33	711-3426	1	KEY, 0.190 X 0.190 X .500
34	711-3446	1	MOUNT, BRAKE, GAUNTLET
35	711-3508	1	ASSY, MOUNT, ALIGNMENT TOOL, BRAKE, GAUNTLET
36	740-7842	2	WASHER, 8.4mmID X 21mm OD X 1.6mm THK
37	130-1785-KT	1	KIT, PULLEY, ID: .5", OD: 3", J6, Q235A, ZP, W/ SET SCREW

REPLACEMENT BRUSHES: 



ITEM NO.	PART NO.	Qty	Description
1	020-7428	1	COVER, LCB GUARD, LONG, SM
2	050-2051	1	LABEL,BASE PLATE,VLAD
3	110-0280	3	SCREW, #6-32, 0.875",PHM, SL, CS, ZI
4	110-1740	3	NUT, 6-32, KEP
5	110-1750	4	NUT, #8-32, KEP
6	110-3095	4	SCREW, #8-32 X .625, PHMS
7	110-3164	2	SCREW, M4x0.7x16L,PHT,PH,CS,ZI
8	120-0800	3	SPACER, #6, Ø0.15" x Ø0.25"x 0.5"L, NY
9	120-3295	8	WASHER, #8, 0.625"OD, ZP
10	140-0210	3	TIE STRAP, 3.5"
11	140-0220	1	TIE STRAP, 14"
12	140-3489	4	SADDLE, WIRE, BARBED, PUSH
13	140-3588	1	CLAMP, SCREW MOUNT, BCS POWER
14	240-6905	1	COUPLER,"F-TYPE", F/F,W/ NUT & WASHER
15	240-6914	1	ADAPTOR, F TYPE RT ANGLE, M/F
16	240-6918	1	CONNECTOR, 8-PIN, 90-DEG
17	440-0282	1	FILTER, SINGLE PHASE, 250VAC, 6A
18	580-0275	1	BATTERY, 6V NP
19	711-3242	1	LOAD RESISTORS, LCB, SM+ST+TC
20	711-3351	1	CABLE, EMI, ALT AND LCB, E-SM
21	711-3392	1	PLATE, LCB MOUNTING, STEPMILL
22	711-3458	1	ASSY,CONNECTOR,VLAD
23	711-3460	1	ELEC PLATE ASSY, BRAKE, SM
24	711-3461	1	ASSY, LCB, W/BRAKE, SM
25	711-3495	1	CABLE, POWER INPUT, GAUNTLET
26	740-0013	2	NUT, M5x0.8, SS, NYLOC
27	740-6512	2	SCREW,M5 X .8, 15mm, PHM, PH
28	740-7182	2	SCREW, M5X0.8, 10mm, BHC, HK, SS





ITEM NO.	PART NO.	Qty	Description
1	220-0270	1	ADAPTER, CORD LINE, NEMA 5-15
2	220-0272	1	ADAPTER, CORD LINE, CEE 7/7
3	711-3346	1	KIT, HARDWARE #1, GAUNTLET
4	711-3486	1	ASSY, CABLE , EXT HR GRIP, SM
5	711-3487	1	CABLE , SWITCH, I/O THRU RAIL, SM
6	711-3494	1	CABLE , MAIN INTERFACE, EXTENDED, SM
7	711-3495	1	CABLE , POWER INPUT, GAUNTLET
8	711-3496	1	CABLE , COAX, M-M, GAUNTLET
9	711-3497	1	ASSY, HARNESS, CSAFE, GAUNTLET
10	711-3498	1	KIT, HARDWARE #2, GAUNTLET
11	712-4022	1	POWER SUPPLY, 90-260VAC/12VDC 5A MIN